

7. MOTORCYCLE TOOLS

MOTORCYCLE TOOLS
BICYCLE TOOLS



7. MOTORCYCLE TOOLS

MOTORCYCLE TOOLS

MOTORCYCLE TOOLS

● PORTABLE TOOL BAG (MEDIUM) SET

3/8" sq.



Details of Tool Bag [P.316](#)
Details of Portable Tool Bag [P.311](#)

PORTABLE TOOL BAG SET

No. SK3230	▼kg 2.5	📦 1
3/8"sq. Socket (6pt.)	POWERFIT	B3-08, 10, 12, 14
3/8"sq. Extension Bar	POWERFIT	BE3-150
3/8"sq. Ratchet Handle		BR3E
Combination Wrench	POWERFIT	MS2-08, 10, 12, 14
Combination Pliers (with Soft Grip)		PJ-150
Needle Nose Pliers (Standard Type)		PSL-150
Adjustable Wrench		WM-200
Ratchet Screwdriver	DBR14	(Bit Size: Cross No.1, 2, 3, Flat 5.5, 6, 8 Hex: 2.5, 3, 4, 5, Torx: T15, T20, T25, T30)
Tool Bag (Black)		MCKB-B
Portable Tool Bag		BKB-M

- It is a carrying set with carefully selected tools in the easy-to-carry shoulder bag.
- It has a reflector line that increases the visibility from the car at night.
- It has pursued the safety without compromising the design as a bag.
- Auxiliary belt is added to suppress the movement of the bag even in violent ride.

● PORTABLE TOOL BAG (LARGE) SET

3/8" sq.



Details of Tool Bag [P.316](#)
Details of Portable Tool Bag [P.311](#)

PORTABLE TOOL BAG SET

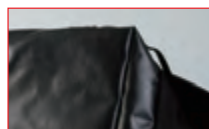
No. SK3231	▼kg 2.5	📦 1
3/8"sq. Socket (6pt.)	POWERFIT	B3-08, 10, 12, 14
3/8"sq. Extension Bar	POWERFIT	BE3-150
3/8"sq. Ratchet Handle		BR3E
Combination Wrench	POWERFIT	MS2-08, 10, 12, 14
Combination Pliers (with Soft Grip)		PJ-150
Needle Nose Pliers (Standard Type)		PSL-150
Adjustable Wrench		WM-200
Ratchet Screwdriver	DBR14	(Bit Size: Cross No.1, 2, 3, Flat 5.5, 6, 8 Hex: 2.5, 3, 4, 5, Torx: T15, T20, T25, T30)
Tool Bag (Black)		MCKB-B
Portable Tool Bag		BKB-L

- It is a carrying set with carefully selected tools in the easy-to-carry shoulder bag.
- It has a reflector line that increases the visibility from the car at night.
- It has pursued the safety without compromising the design as a bag.
- Auxiliary belt is added to suppress the movement of the bag even in violent ride.

Features of Portable Tool Bag (No.BKB-M, BKB-L)



Red KTC logo is woven on the front



Strength is improved with the tarpaulin on the bottom

Surface

Back

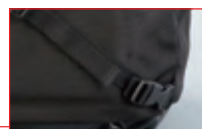


Adjustment Buckle

Auxiliary Belt



Tool storage part that's protected by pad. Tool storage part is equipped. It can carry sensitive Digital Ratchet.



Auxiliary belt has snaps on both ends to make it easy for both right and left-handed person to attach it.

Middle



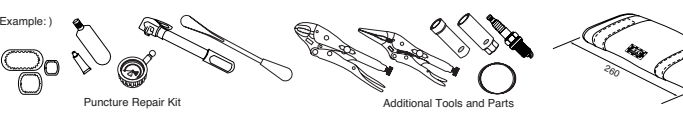
RIDER'S MAINTENANCE TOOL SET

No. MCK317	▼kg 1.8	📦 1
3/8"sq. Semi-deep socket (6pt.)	POWERFIT B3M-08, 10, 12, 14	
3/8"sq. Slide-head handle	BHM3	
3/8"sq. Extension bar	BE3-150	
3/8"sq. Hexagonal wrench	HB20-4, 5, 6	
Combination wrench	POWERFIT MS2-08, 10, 12, 14, 17	
Interchangeable driver set	DB4 Cross (No.2, No.3) Flat (head width 4.6)	
Pliers	PJ-150	
Adjustable Wrench	MW-200	
Tool Bag (Black)	MCKB-B (260x125x70mm when folded)	

MODEL CHANGE This model supercedes the MCK11, MCK21A.

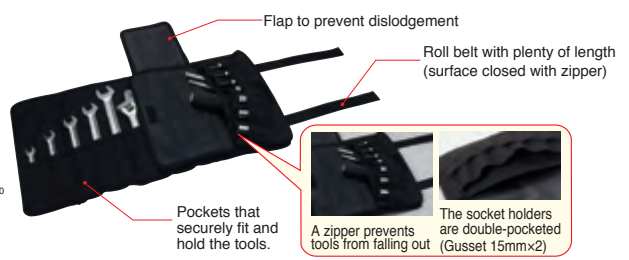
- The socket will allow easy operation in areas where open end wrenches and offset wrenches cannot reach.
- The drive tools employ a slide head handle and an extension bar for easy operation.
- The case can be folded down when traveling.
- The zipper prevents tools from falling out.
- By laying out the tool bag, it can be used as a replacement for tools/parts tray.
- Plenty of space (second stage pocket, etc.) for storing tools. E.g. Extra/spare parts, that are not included in the set.

Convenient for storing extra tools and spare parts.



*MOTO CLUB is the registered trademark of KYOTO TOOL CO., LTD.

3/8" sq. ● RIDER'S MAINTENANCE TOOL SET



MOTORCYCLE TOOL SET

No. SK35610XMC	▼kg 18	📦 1 (2 Cartons)
Total 56 pcs.		
• SK35610XMCT	Tools x 1	
• SKX0213	Chest x 1	

Contents		
3/8"sq. Socket (6pt.)	POWERFIT	B3-08, 10, 12, 13, 14
3/8"sq. Deep Socket (6pt.)	POWERFIT	B3L-08, 10, 12, 14
3/8"sq. Hex. Bit Socket	POWERFIT	BT3-03, 04, 05, 06
3/8"sq. Ratchet Handle		BR3E
3/8"sq. Spinner Handle		BS3E
3/8"sq. Quick Spinner	POWERFIT	BE3-Q
3/8"sq. Extension Bar	POWERFIT	BE3-075, 150
Box End Wrench (45° x 6° Long)	POWERFIT	M5-0810, 1113, 1214, 1719, 2224
Ratchet Combination Wrench		MSR1A-08, 10, 12, 13, 14, 17
Plastic Grip Screwdriver (Flat)		D1M2-5, 6
Plastic Grip Screwdriver (Cross)		D1P2-1, 2, 3
Plastic Grip Stubby Screwdriver (Flat)		D1MS-6
Plastic Grip Stubby Screwdriver (Cross)		D1PS-2
Split Grip Screwdriver Through Type (Flat)		FD-250
Carburetor Jet Screwdriver		CDZ-165
Combination Pliers (with Soft Grip)		PJ-200
Adjustable Wrench		WM-200
Needle Nose Pliers		PSL-150
Diagonal Cutting Pliers		PN1-150
Combination Hammer		UD7-10
Locking Plier		150LN, 175CR
L Shape Long Ball Point Hex-Key Wrench Set (9 pcs.)		HL259SP (1.5, 2, 2.5, 3, 4, 5, 6, 8, 10)
3/8"sq. T-Shaped Handle		TH20
Magnetic Parts Tray		YKPT-RM
Tray		ETKT64-001A1 (Ratchet) ETKT64-001B1 (Offset Wrench) ETKT64-001B2 (Scissors)

➔ The case is listed on P.334.

- It is a set with carefully selected tools ideal for the maintenance of motorcycles.

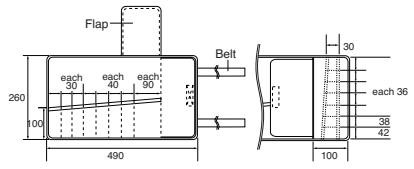
3/8" sq. ● MOTORCYCLE TOOL SET



TOOL BAG

No.	Size when spread out	▼g
MCKB-B	260 x 490 (Not including belt and flap)	270

- Tool bag used for riders maintenance tool set.
- Materials: Nylon (Main body), PVC (Main body back), PP (rims, tapes)



● Tool Bag (Black)



When Folded

*Please check the merchandise inventory for a product that is marked by before placing an order.

● MOTORCYCLE TOOL STATION® SET



MOTORCYCLE TOOL STATION® SET

No. SK7006B	▼kg 50.5	📦 1 (2 Cartons)
80 tools/parts included		
· SK7006BT	Tools/Parts	×1
· SKR703A	Tool Station	×1

• A special new motorcycle tool set enclosed in the tool station.

Please refer ➡ P.22.

*TOOL STATION is a registered trademark of KYOTO TOOL CO., LTD.

● MOTORCYCLE TOOL STATION® SET



MOTORCYCLE TOOL STATION® SET

No. SK6006B	▼kg 39.5	📦 1 (2 Cartons)
69 tools/parts included		
· SK6006BT	Tools/Parts	×1
· SKR602A	Tool Station	×1

• A special new motorcycle tool set enclosed in the tool station.

Please refer ➡ P.22.

*TOOL STATION is a registered trademark of KYOTO TOOL CO., LTD.

● DRIVE CHAIN TOOL SET



DRIVE CHAIN TOOL SET

No. MCCU14	Number	▼kg 2.2	📦 1
Main body	1		
Outer Bolt	1		
Inner Bolt	1		
Handle	1		
For cutter pin 4050	1	40 and 50 series cutting	
For cutter guide 4050	1	40 and 50 series cutting	
For cutter pin 60	1	60 series cutting	
For press fit plate 40	1	Press fitting type 40 series	
For 52	1	Press fitting type 52 series	
For 50	1	Press fitting type 50 (530) series	
For 60	1	Press fitting type 60 series	
Press Fit Caulking Receival Plate	1	For press fitting in all sizes / Caulking receiver	
Caulking pin	1	Caulking all sizes	
Metal Case	1	L270×W145×H32	

Usage

- For motorcycle drive chain replacements.
- For removing chain pin, press fitting joint plates (including clip type), and caulking joint pins.

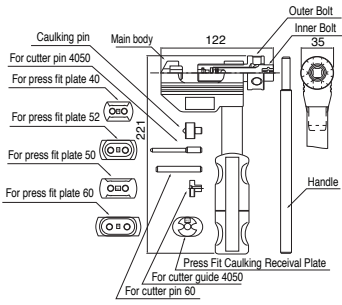
Application

- For chain sizes: 420 · 428 · 520 · 525 · 50 (530) · 532 · 630 · 632

Characteristics

- This tool can be used for most domestic motorcycles.
- Based on strength analysis, the design is in an optimum shape for durability and lightness that even professionals will approve.
- Highly durable cutter pin & caulk pin is made from heat-treated special steel (SK type).
- These parts have been designed to facilitate workflow.
- Bolt removal is not required as cutter pins can be replaced from the front of the inner bolt.
- The cutter pin can be used frequently in 40 and 50 series.
- Press fitting is designed for all sizes (press fitting caulk receiving plate), and as it can also be used in caulking, this allows for a much smoother operation.
- The inner bolt does not need to be set after the joint pin has been removed as the plate press fitting uses the same outer bolt.
- The grip and handle are designed so that strength may be applied easily.

*A drive tool such as a separate 3/8"sq. ratchet tool is required when using this tool.



■ Replacement Parts

No.	Product	📦
MCCU-BA	Outer Bolt	1
-BB	Inner Bolt	1
-H	Handle	1
-CA	For cutter pin 4050	1
-CG	For cutter guide 4050	1
-CB	For cutter pin 60	1
-PA	For press fit plate 40	1
-PB	For press fit plate 52	1
-PC	For press fit plate 50	1
-PD	For press fit plate 60	1
-PT	Press Fit Caulking Receival Plate	1
-KA	Caulking pin	1

*Please check the merchandise inventory for a product that is marked by ⚠ before placing an order.

VALVE SPRING COMPRESSOR

No. MCVU5	▼kg 1.4	📦 1
Body	L290~420xH172	
Attachment	MCVU-A16, A20, A24, A28	

*The attachment can also be used for a valve spring compressor (VSU4).

No.	Part Name	D ₁	D ₂	ℓ	📦
MCVU-A16	Attachment ø16.5	17	19	50	1
-A20	Attachment ø20	20	22	50	1
-A24	Attachment ø24	24	26	50	1
-A28	Attachment ø28	28	31	50	1

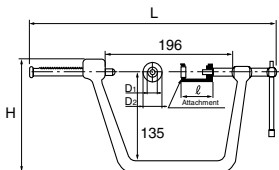
*The attachment can also be used for a valve spring compressor (VSU4).

This model supercedes the VSU4.

Purpose

SPECIAL TOOL FOR MAINTENANCE ON INTAKE & EXHAUST VALVE (REMOVING/INSTALLING VALVE SPRING) OF 4 CYCLE ENGINE.

- Guide Attachment of 4 sizes (ø16.5, 20, 24, 28) covers most types of motorcycles.
- Guide Attachment can be replaced by one-touch and wide opening for smooth operation on valve cotter.



● VALVE SPRING COMPRESSOR



WIRE TWISTER

No.	L	Twistable Radius	▼g	📦
WTP-210	205	0.8	240	1

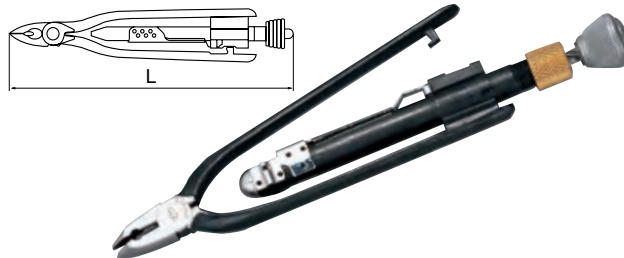
Purpose

- For twisting wire to wire-lock bolt's head.
- Rotates clockwise



When used

● WIRE TWISTER



SPARK PLUG WRENCH (SHORT TYPE)

No.	S	D ₁	D ₂	L	▼g	📦
MCPS-20.8	20.8	34	32	170	176	5

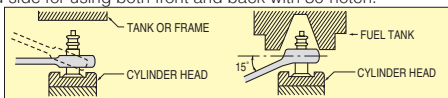
Purpose

SPECIAL WRENCH FOR REPLACING SPARK PLUG (20.8mm) OF 2-CYCLE WATER-COOLING ENGINE.

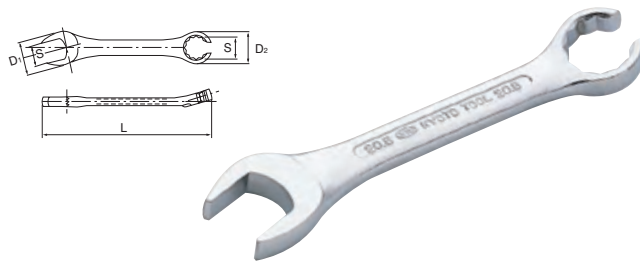
- Short length (170mm) for handy work.
- Convenient for use in narrow space where Socket Type Spark Plug Wrench cannot be applied.

(Open End) ● With 15°degreed side for using both front and back with 30°notch.

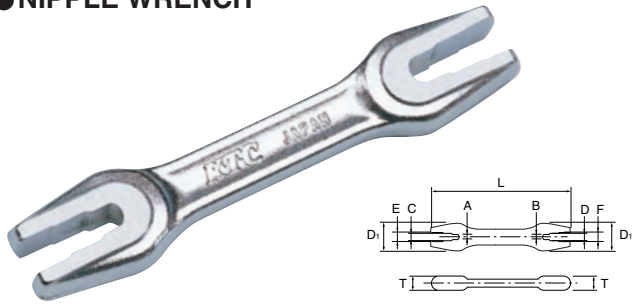
(Box End) ● Can be used on hexagon part such as below tank.



● 20.8mm SPARK PLUG WRENCH, SHORT



● NIPPLE WRENCH



NIPPLE WRENCH

No.	D ₁	A	B	C	D	E	F	T	L	▼g	
MCS2-100	20	4.5	5.1	5.8	6.1	6.4	6.6	10	100	80	1

Purpose

SPECIAL WRENCH FOR FASTENING, ADJUSTING & CHECKING WHEEL SPOKE NIPPLE.

- One wrench applied to 6 sizes (4.5, 5.1, 5.8, 6.1, 6.4, 6.6) covering most of motorcycles.
- Small and light tool convenient for touring, racing etc.
- Drop forged and heat treated body for superb durability.
- The wrench is made with a high thickness (10mm) to help prevent nipples from scratching and losing their shape.

● TIRE VALVE WRENCH

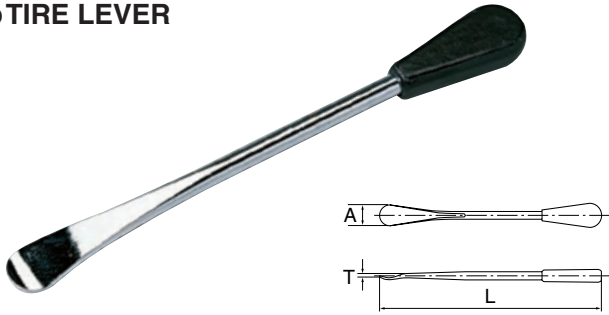


TIRE VALVE WRENCH

No.	a	b	D	e	L	▼g	
MVC-30	2.2	4.5	29	15	35	20	1

- Compact size covering many types of motorcycles when conventional long tools cannot be used.
- "Must Have" for repairing flat tires or changing tires/tubes.

● TIRE LEVER

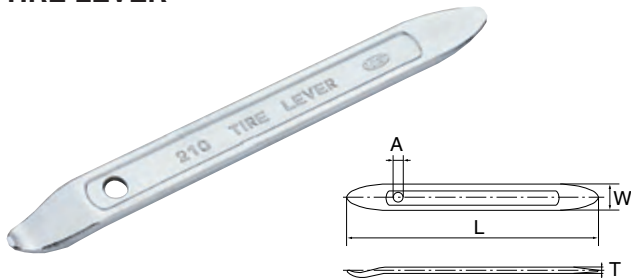


TIRE LEVER

No.	A	T	L	▼g	
MCOL-260	23	1	265	170	5

- Thin and smooth tip provides smooth operation.
- Properly heat-treated for superb durability.
- Comfortable rubber handle with oil resistance enables sure gripping.

● TIRE LEVER



TIRE LEVER

No.	A	W	T	L	▼g	
OHZ-210	7	22	5.5	210	100	1

- Short body (210mm) convenient for touring, etc.
- Drop forged and properly heat-treated for superb durability.

7. MOTORCYCLE TOOLS

BICYCLE TOOLS

BICYCLE TOOL SET

No. **SK34010CY**

Total 40 pcs. ▼kg 4.1 ☰ 1
• Plastic Hard Case EKP-5

Contents

3/8"sq. Socket (6pt.) ^{POWERFIT}	B3-08, 09, 10, 11, 12, 13, 14, 15
3/8"sq. Hex. Bit Socket ^{POWERFIT}	BT3-03, 04, 05, 06, 08
3/8"sq. T-Type Torque Bit Socket ^{POWERFIT}	BT3-T25, T30
3/8"sq. Extension Bar ^{POWERFIT}	BE3-075
3/8"sq. Ratchet Handle	BR3E
Cross Plastic Grip Screwdriver Through Type	D7P2-2
Flat Plastic Grip Screwdriver Through Type	D7M2-6
L-Shaped Long Ball Point Hex-Key Wrench Set (9 pcs.)	HL259SP (1.5, 2, 2.5, 3, 4, 5, 6, 8, 10)
Combination Wrench ^{POWERFIT}	MS2-08, 10, 12, 13
Diagonal Cutting Pliers	PN1-150
Needle Nose Pliers (Standard Type)	PSL-150
MiniHammer	TUD3S
Adjustable Wrench	WM-250
Pedal Wrench	CP2-15A
Tire Lever Set (2 pcs.)	CTR12
3/8"sq. Socket Holder	EHB315

- The case is listed on P.344.
- Basic model for bicycle maintenance that adopts a plastic single-door case.
- The case has an easy-to-carry compact size.

3/8" sq.

● BICYCLE TOOL SET



* Please use the dedicated cutter for the cutting of various bicycle cables.

BICYCLE TOOL SET

No. **SK34410XCY**

Total 44 pcs. ▼kg 15 ☰ 1 (2 Cartons)
• SK34410XCYT Tools × 1
• SKX0213 Chest × 1

Contents

3/8"sq. Digital Ratchet Small Torque Type	GEK030-C3A
3/8"sq. Socket (6pt.) ^{POWERFIT}	B3-08, 09, 10, 11, 12, 13, 14, 15
3/8"sq. Hex. Bit Socket ^{POWERFIT}	BT3-03, 04, 05, 06, 08
3/8"sq. T-Type Torque Bit Socket ^{POWERFIT}	BT3-T25, T30
3/8"sq. Extension Bar ^{POWERFIT}	BE3-075
3/8"sq. Ratchet Handle	BR3E
Cross Plastic Grip Screwdriver Through Type	D7P2-2
Flat Plastic Grip Screwdriver Through Type	D7M2-6
L-Shaped Long Ball Point Hex-Key Wrench Set (9 pcs.)	HL259SP (1.5, 2, 2.5, 3, 4, 5, 6, 8, 10)
Combination Wrench ^{POWERFIT}	MS2-08, 10, 12, 13, 14, 15
Diagonal Cutting Pliers	PN1-150
Needle Nose Pliers (Standard Type)	PSL-150
Plastic Hammer	K9-6
Adjustable Wrench	WM-250
Pedal Wrench	CP2-15A
3/8"sq. Pedal Wrench (Crowfoot Wrench Type)	CP1-15
Tire Lever Set (2 pcs.)	CTR12
3/8"sq. Socket Holder	EHB315

- It is a Digital Ratchet adopted model for bicycle maintenance (torque measurement range: 2~30 N·m).
- Stationary chest with a plenty of storage is adopted for the case.
- The case is listed on P.344.

3/8" sq.

● BICYCLE TOOL SET



* Please use the dedicated cutter for the cutting of various bicycle cables.

* Digital Ratchet is a registered trademark of KYOTO TOOL.

BICYCLE TOOL SET

No. **CTX309**

Total 9 pcs. ▼kg 0.8 ☰ 1
• Active Tool Bag BKB-S

Contents

L-Shaped Ball Point Hex. Wrench	HLDA250-03, 04, 05, 06, 08
Palm Driver (Cross)	PDEA-2
MiniHammer	TUD3S
Tire Lever Set (2 pcs.)	CTR12

- It is a bicycle tool set in a compact active tool bag that focuses on the work efficiency in the daily maintenance of bicycle.

• Bag is listed on P.316.

* "Standard retail price" displayed product is different from normal pricing.

● BICYCLE TOOL SET



*Please check the merchandise inventory for a product that is marked with before placing an order.

● BICYCLE TOOL SET



BICYCLE TOOL SET

No. CTX316		
Total 16 pcs.	▼kg 1.2	📦 1
• Active Tool Bag	BKB-S	
Contents		
L-Shaped Ball Point Hex. Wrench	HLDA250-03, 04, 05, 06, 08	
Replacement Driver Set	DB4 (Cross: No.2 x No.3, Flat: Tip Width 4 x 6, Handle)	
Combination Wrench POWERFIT	MS2-08, 09, 10	
Combination Wrench	MS3-15T	
Needle Nose Plier	PSL-150	
MiniHammer	TUD3S	
Tire Lever Set (2 pcs.)	CTR12	

- It is a bicycle tool set in a compact active tool bag that focuses on the work efficiency in the daily maintenance of bicycle.
- The scope of work is expanded by the inclusion of replacement driver set and combination wrench.
- Tools can be loaded and unloaded while hanging on the shoulder, increasing the work efficiency.

● BICYCLE TOOL SET DIGITAL RATCHET MODEL



BICYCLE TOOL SET

No. CTX320		
Total 20 pcs.	▼kg 2	📦 1
• Active Tool Bag	BKB-S	
Contents		
3/8"sq. Digital Ratchet Small Torque Type	GEK030-C3A	
3/8"sq. Hex. Bit Socket POWERFIT	BT3-04, 05, 06	
L-Shaped Ball Point Hex. Wrench	HLDA250-03, 04, 05, 06, 08	
Replacement Driver Set	DB4 (Cross: No.2 x No.3, Flat: Tip Width 4 x 6, Handle)	
Combination Wrench POWERFIT	MS2-08, 09, 10	
Combination Wrench	MS3-15T	
Needle Nose Plier	PSL-150	
MiniHammer	TUD3S	
Tire Lever Set (2 pcs.)	CTR12	

- It is a bicycle tool set in a compact active tool bag that focuses on the work efficiency in the daily maintenance of bicycle.
- It is a torque management model that includes small torque type Digital Ratchet. (Torque measurement range: 2~30N·m)
- Tools can be loaded and unloaded while hanging on the shoulder, increasing the work efficiency.

* Digital Ratchet is a registered trademark of KYOTO TOOL.

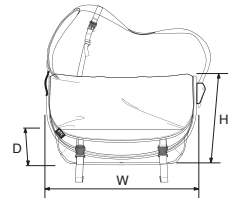
● PORTABLE TOOL BAG



PORTABLE TOOL BAG

No.	W	D	H	▼g	📦
BKB-M	450	200	250	730	1
BKB-L	520	200	260	940	1

- Shoulder bag that's also ideal in the storage of bicycle maintenance tools.
- Uses a fabric with excellent durability.
- It has a reflector line that increases the visibility from the car at night. It has pursued the safety without compromising the design as a bag.
- Auxiliary belt is added to suppress the movement of the bag even in violent ride.
- Shoulder strap length can easily be adjusted with the buckle.



Auxiliary belt has snaps on both ends to make it easy for both right and left-handed person to attach it. Strength is improved with the tarpaulin on the bottom

Tool storage part that's protected by pad. Tool storage part is equipped. Sensitive Digital Ratchet can also be carried.



It firmly fits on the body, increasing the stability
The model height: 170cm
Active Tool Bag: No.BKB-M (left), No.BKB-L (right)

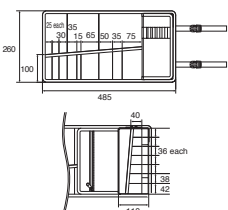
● PORTABLE TOOL BAG



PORTABLE TOOL BAG

No.	Expanded size	▼g	📦
BKB-S	485x260 (excluding belt and flap)	280	1

- Tool bag that's also ideal in the storage of bicycle maintenance tools.
- It is a roll type that compactly fits when carrying around.
- It prevents the tools from jumping out with the resin buckle clasp.
- It can be used as a tray for parts or tools by spreading it out.
- Tools can be loaded and unloaded while hanging on the shoulder, increasing the work efficiency.
- Strap can be removed.



When Folded



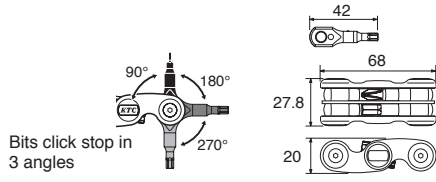
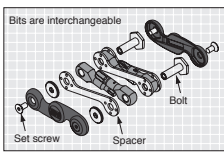
Tools can be loaded and unloaded while hanging it on the shoulder.
The model height: 170cm

Pocket under the socket storage part has a pad for relieving the impact

MULTI TOOL for BICYCLE

No. HLM04	▼g 95	📦 1
Hex. Bit	4, 5, 6	
Cross Bit	No.2	

- It has the outer shape that allows the easy retrieval of bits.
- With each bit independent structure, bits next to each other will not pop out.
- It has an easy-to-use structure that click stops at each point (90°, 180°, 270°).
- Bits can be interchanged as desired.



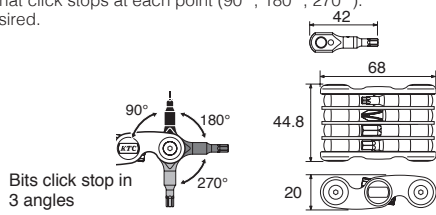
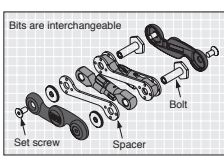
● **MULTI TOOL for BICYCLE (4 Bits) D. PAT.**

- ⚠️ **CAUTION** • Please apply force in the rotation direction of the bolt. Tip may get damaged if force is applied in the falling direction of the axis.

MULTI TOOL for BICYCLE

No. HLM08	▼g 175	📦 1
Hex. Bit	2, 2.5, 3, 4, 5, 6	
Cross Bit	No.2	
Torx Bit	T25	

- It has the outer shape that allows the easy retrieval of bits.
- With each bit independent structure, bits next to each other will not pop out.
- It has an easy-to-use structure that click stops at each point (90°, 180°, 270°).
- Bits can be interchanged as desired.



● **MULTI TOOL for BICYCLE (8 Bits) D. PAT.**

- ⚠️ **CAUTION** • Please apply force in the rotation direction of the bolt. Tip may get damaged if force is applied in the falling direction of the axis.

BIT FOR MULTI TOOL

No.	Product Name	📦
HLM-H02	Multi Tool Hex. Bit 2mm	1
HLM-H025	Multi Tool Hex. Bit 2.5mm	1
HLM-H03	Multi Tool Hex. Bit 3mm	1
HLM-H04	Multi Tool Hex. Bit 4mm	1
HLM-H05	Multi Tool Hex. Bit 5mm	1
HLM-H06	Multi Tool Hex. Bit 6mm	1
HLM-2P	Multi Tool Cross Bit No.2	1
HLM-T25	Multi Tool Torx Bit T25	1

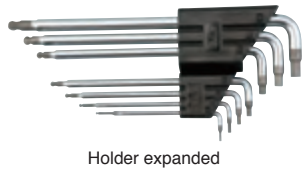
● **BIT FOR MULTI TOOL**



L-SHAPED BALL POINT HEX. WRENCH SET (7pcs.)

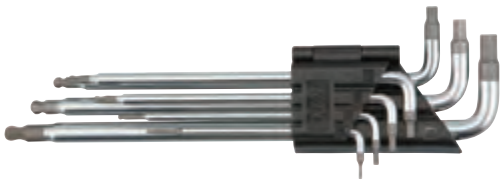
No. HLDA2507	▼g 230	📦 1
L-Shaped Ball Point Hex. Wrench 1.5, 2, 2.5, 3, 4, 5, 6		

- Round handle axis is used to prevent bending during use.
- Chrome-plated finish gives great texture, appearance and rust resistance.
- Excellent wear resistance and twist strength with the use of special steel alloy.
- Foldable original holder that's convenient in transport and tool management.



Holder expanded

● **L-SHAPED BALL POINT HEX. WRENCH SET (7pcs.)**

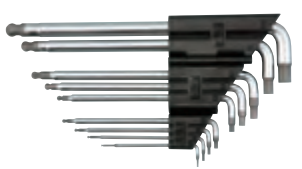


- ⚠️ **CAUTION** • Since the ball point has a low torque limit, please be careful not to apply too much force.
- Swing angle of the ball point will vary depending on the variation in the size and bolt.
- Please apply force in the rotation direction of the bolt. There is a risk of damage from the bent part if excessively pulled up or pushed down.

L-SHAPED BALL POINT HEX. WRENCH SET (9pcs.)

No. HLDA2509	▼g 630	📦 1
L-Shaped Ball Point Hex. Wrench 1.5, 2, 2.5, 3, 4, 5, 6, 8, 10		

- Round handle axis is used to prevent bending during use.
- Chrome-plated finish gives great texture, appearance and rust resistance.
- Excellent wear resistance and twist strength with the use of special steel alloy.
- Foldable original holder that's convenient in transport and tool management.



Holder expanded

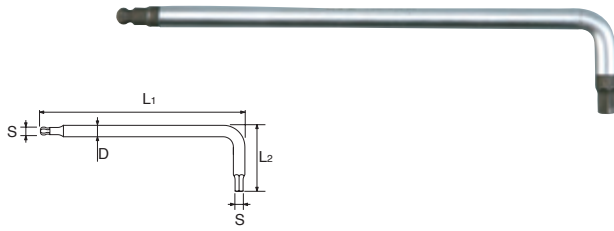
● **L-SHAPED BALL POINT HEX. WRENCH SET (9pcs.)**



- ⚠️ **CAUTION** • Since the ball point has a low torque limit, please be careful not to apply too much force.
- Swing angle of the ball point will vary depending on the variation in the size and bolt.
- Please apply force in the rotation direction of the bolt. There is a risk of damage from the bent part if excessively pulled up or pushed down.

*Please check the merchandise inventory for a product that is marked by before placing an order.

● L-SHAPED BALL POINT HEX. WRENCH

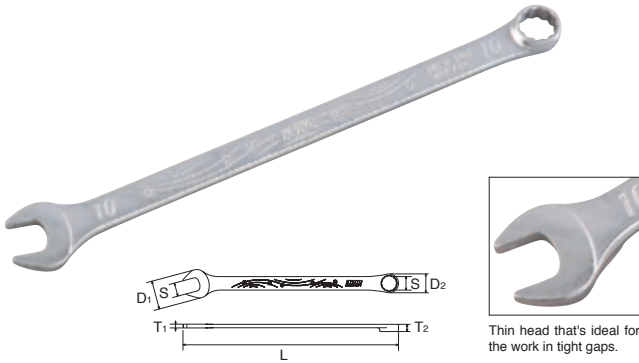


L-SHAPED BALL POINT HEX. WRENCH

No.	S	D	L ₁	L ₂	▼g	📦
HLDA250-015	1.5	3	82	19	4	1
HLDA250-02	2	3	98	20	6	1
HLDA250-025	2.5	4	114	22	12	1
HLDA250-03	3	5	131	25	21	1
HLDA250-04	4	6	148	31	35	1
HLDA250-05	5	7	167	35	55	1
HLDA250-06	6	8	188	40	80	1
HLDA250-08	8	10	210	46	140	1
HLDA250-10	10	12	236	52	225	1

- CAUTION**
- Since the ball point has a low torque limit, please be careful not to apply too much force.
 - Swing angle of the ball point will vary depending on the variation in the size and bolt.
 - Please apply force in the rotation direction of the bolt. There is a risk of damage from the bent part if excessively pulled up or pushed down.

● COMBINATION WRENCH



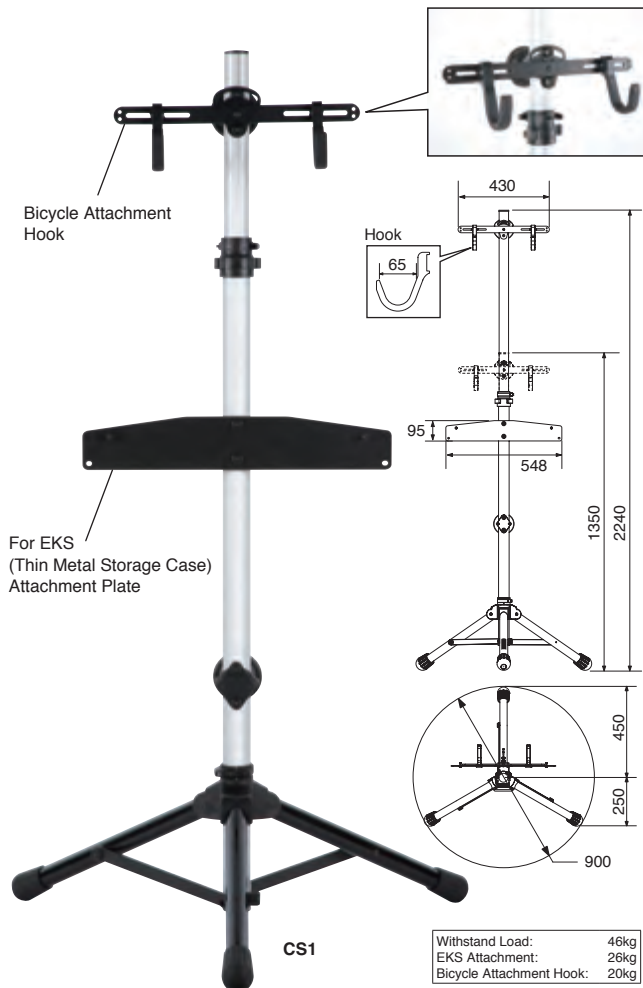
COMBINATION WRENCH

No.	D ₁	D ₂	T ₁	T ₂	L	S	▼g	📦
MS3-08T	18	11.5	3	4.5	150	8	25	1
MS3-10T	21.5	14.5	3	5.5	180	10	40	1
MS3-15T	32	21	4.2	8	240	15	105	1

- It is a thin combination wrench with the beautiful engraving of cherry blossoms drifting in the river.
- For the adjustment of various wires (8mm)
- For the attachment and detachment of light, fender and brake shoe (10mm)
- For the attachment and detachment of wheels and support wheels for children (15mm)

- CAUTION**
- Since it is a thin type with long total length, please be careful not to apply too much force.

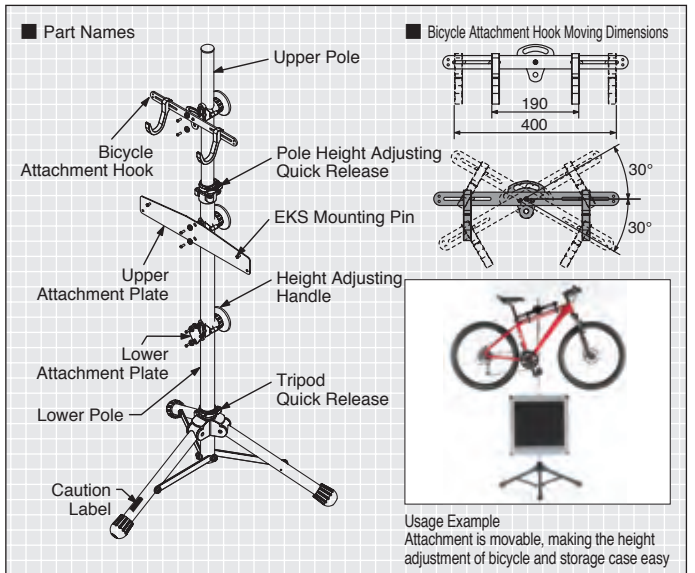
● BICYCLE DISPLAY STAND



BICYCLE DISPLAY STAND

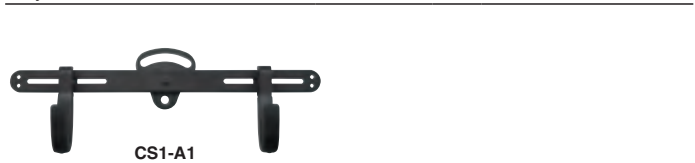
No. CS1	▼kg 8	📦 1
---------	-------	-----

- BICYCLE DISPLAY STAND
- It is a self-supporting tripod type bicycle display stand with stability.
 - Thin metal case (EKS-101,103 P.342) can be equipped.
 - Tripod can be folded, making it convenient in transport and storage.
 - Bicycle attachment hook is available as an optional item.
Another bicycle can be placed instead of the thin metal case.
 - * Spare parts are configured. Please contact your dealer for details.



■ Option

No. CS1-A1	▼g 500	📦 1
------------	--------	-----



- CAUTION**
- It may not be usable depending on the bicycle shape.
 - It is not a stand for the bicycle maintenance.
 - It is not possible to add an EKS attachment plate to place 2 units of EKS (thin metal case).
 - Please be sure to have fall prevention during installation.

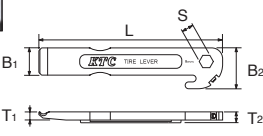
TIRE LEVER SET (2pcs.)

No.	S	B ₁	B ₂	T ₁	T ₂	L	▽g	📦
CTR12	Surface: 9, Back: 10	20	30	6	8	135	22x2pcs.	1

- Thin tip and long claw make it easy to pick up beads.
- With a guide angle given on the back rim side, it can easily be inserted between the tire and rim.
- It has a hook on the tip and opposite side to hook on a spoke.
- It has an offset wrench for the removal of rim nut that fixes the valve on the rim.
- It has an air removal pin for Schrader valve that removes the air in the tube.



Usage state Offset wrench for the removal of rim nut Air removal pin for Schrader valve



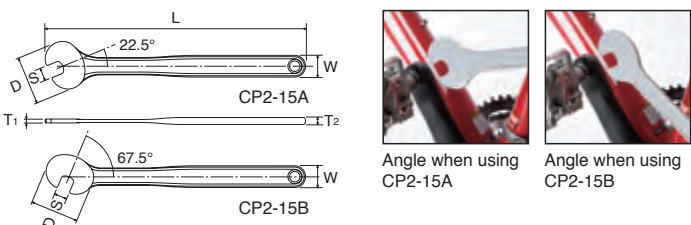
● **TIRE LEVER SET (2pcs.)** D.PAT.



PEDAL WRENCH

No.	S	D	W	L	T ₁	T ₂	▽g	📦
CP2-15A	15	56	25	300	4.5	8	270	1
CP2-15B	15	56	25	300	4.5	8	270	1

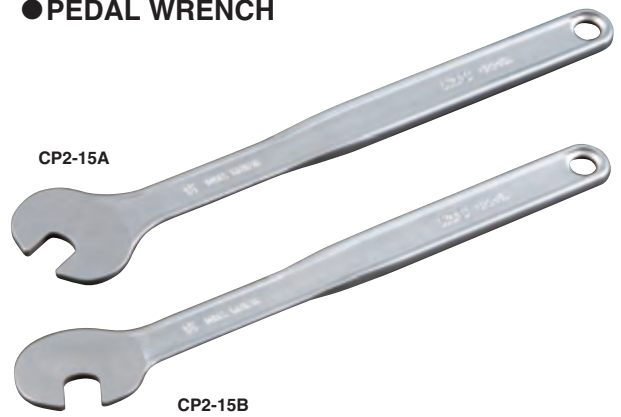
- Wrench tip is made thin, supporting various pedals.
- 2-item configuration in wrench tip angle (22°30', 67°30') that supports pedals with mounting angle that's difficult to work with.



Angle when using CP2-15A Angle when using CP2-15B

CAUTION • Please do not use it other than for attaching and detaching bicycle pedals.

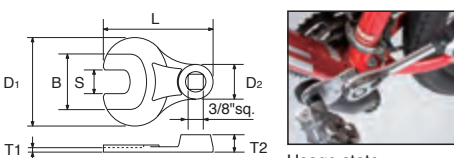
● **PEDAL WRENCH**



PEDAL WRENCH (CROWFOOT WRENCH TYPE)

No.	S	D ₁	D ₂	B	T ₁	T ₂	L	▽g	📦
CP1-15	15	56	22	35	4.5	11	69.5	90	1

- It has a 3/8"sq. drive that allows the torque to be checked with a torque wrench.
- Wrench tip is made thin, supporting various pedals.



Usage state (Combination with GEK085-R3)

CAUTION • Please do not use it other than for attaching and detaching bicycle pedals.

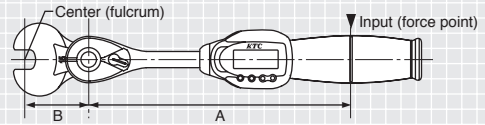
● **PEDAL WRENCH (CROWFOOT WRENCH TYPE)** D.PAT.



Torque conversion of pedal wrench (crowfoot wrench type)

Torque value is determined by the distance from the fulcrum to force point and the force applied to the force point. Torque cannot be accurately measured if crowfoot type wrench is used, since the distance from the fulcrum to force point that's originally set on the torque wrench changes. Start working upon determining the value to be input on the torque wrench from the required torque value before measurement.

■ Torque conversion when using Digital Ratchet



Torque conversion formula: $\frac{A}{(A+B)} \times \text{Required torque value} = \text{Input torque value}$
 Insert the wrench all the way in for the accurate measurement.

■ Combination conversion example with Digital Ratchet

Product Number	Conversion rate	Required torque value		
		30N·m	35N·m	40N·m
GEK030-C3/GWEC3-030	75%	22.4	-	-
GEK060-R3/GWE3-060	75%	22.4	26.1	29.9
GEK085-R3/GWE3-085	80%	24.0	28.0	32.0

* Conversion rate is an approximate. Please calculate in the manner described on left to obtain the accurate value.
 Example: When tightening a pedal of 40N-m specific torque with Digital Ratchet GEK085-R3, the conversion rate is 80%, making the set torque of Digital Ratchet 32N-m.

■ Recommended torque wrench



Digital Ratchet GEK085-R3
 Torque range: 17~85N-m

For more information on Digital Ratchet, Please see P.176.

Related Items



Digital Ratchet ® Small Torque Type P.175



Bit Socket P.93~115



L-Shaped Hex-Key Wrench P.99~102

*Please check the merchandise inventory for a product that is marked before placing an order.